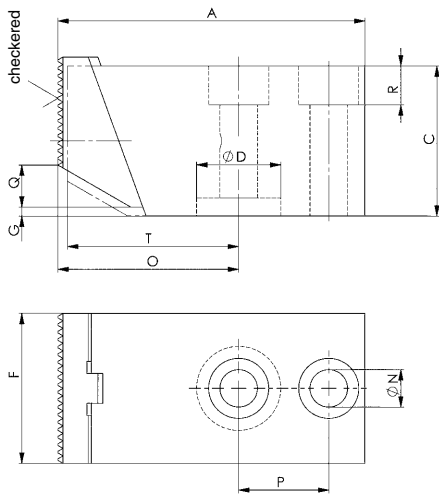


No. 6977

Pull-down counter-hold, mechanical



Order no.	Article no.	Holding force [kN]	Screw (2 pieces)	Weight [g]
67371	6977-05	4,5	M8x35	550
67512	6977-20	20	M12x65	1550
67421	6977-32	32	M16x80	3000
67520	6977-50	50	M20x100	5200

Design:

Cylinder body made of tempering steel, blued. Exchangeable jaws. Standard version with serrated and hardened jaw. Jaw exchangeable. Complete with two mounting bolts (ISO).

Application:

Purely a counter-hold when using a hydraulic or mechanical pull-down clamp. The workpiece is pulled down onto the machine table by the horizontal force that is applied.

Features:

The smooth clamping jaw moves always against the machine tool table surface, i.e. the stop position is always the same. Clamping on slotted table possible lengthwise and crosswise. No raising of the clamping jaw, because the clamping bolt is right behind the jaw. Suitable for incorporation in fixtures. New design of jaws connection with rubber buffer ensures sliding without any play.

Note:

The maximum pull-down stroke of the jaw must not exceed dimension G. The hole $\varnothing D$ can be used for additional support or positioning.

Dimensions:

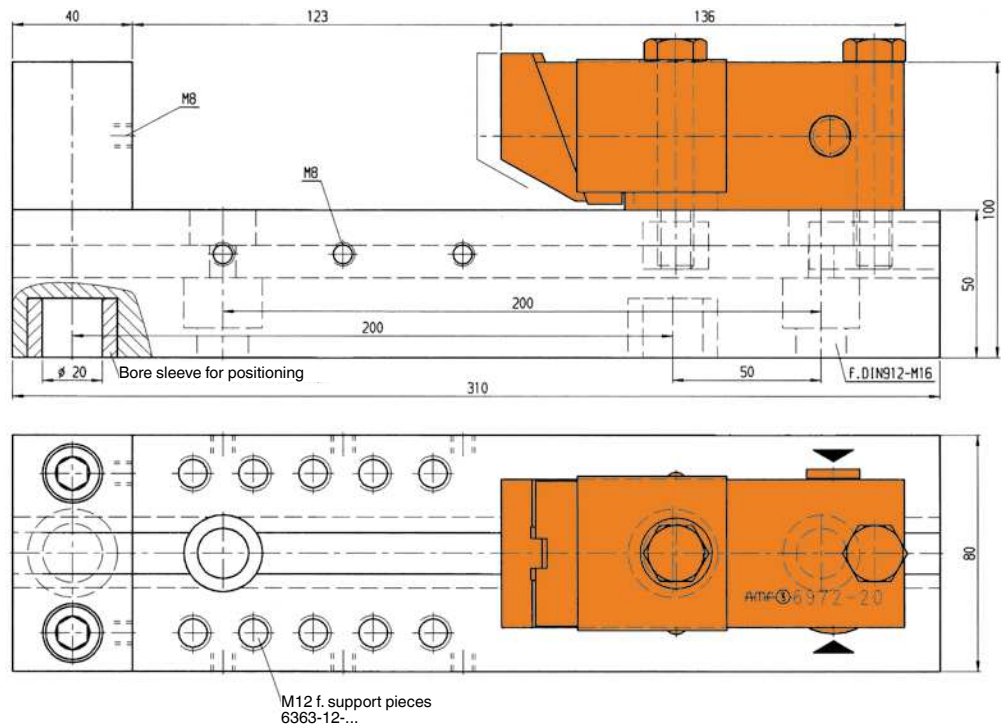
Order no.	Article no.	~A	C	$\varnothing D + 0.05 \times \text{depth}$	F	G	dia. N	$O \pm 0.5$	P	Q	R	T
67371	6977-05	79	30	-	30	2	8,5	42	26	3	8	41
67512	6977-20	102	50	28,02 x 6	50	3	12,5	60	30	14	13	59
67421	6977-32	114	65	32,02 x 6	65	3	16,5	62	37	17	18	61
67520	6977-50	133	80	40,02 x 8	80	3	20,5	68	46	19	23	67

CAD



Application example:

Pull-down clamp No. 6972F-20 as vice.



Subject to technical alterations.