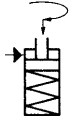


## No. 6951KP

### Swing clamp, top-flange-mounting, precision design

Single-acting, with spring return, max. operating pressure 350 bar, min. operating pressure 52 bar.



CAD

Order no.	Article no.	Clamping force at 350 bar* [kN]	Clamping stroke K [mm]	Total stroke L [mm]	Oil capacity [cm <sup>3</sup> ]	effective piston area [cm <sup>2</sup> ]	Q max. [l/min]	Weight [g]
327155	6951KP-22-11	22	14,5	28	21,2	7,6	2,5	2550
327163	6951KP-22-12	22	14,5	28	21,2	7,6	2,5	2550
327171	6951KP-33-11	33	16,0	30	34,3	11,4	2,5	3992
327189	6951KP-33-12	33	16,0	30	34,3	11,4	2,5	3992

\* Clamping forces with short clamping arm.

### Design:

Cylinder barrel from steel, hardened and burnished. Piston rod hardened and chrome plated. Wiper at piston rod. Return spring from stainless steel. Supply scope does not include clamping arm. Oil supply via threaded connection or oil channel in the fixture body.

### Application:

The swing clamp is used particularly in fixtures in which the workpieces must be freely accessible and placed from above. Workpieces with difficult shapes can also be clamped using special clamp arms (available on request).

### Features:

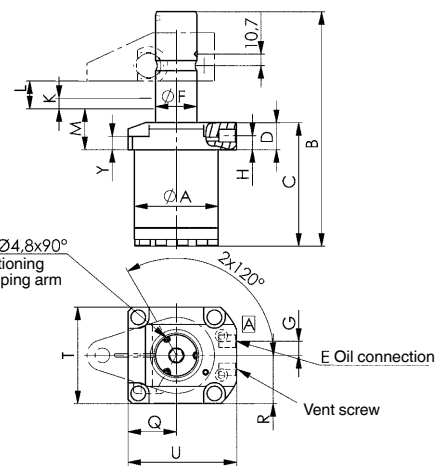
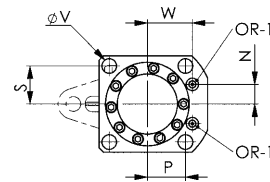
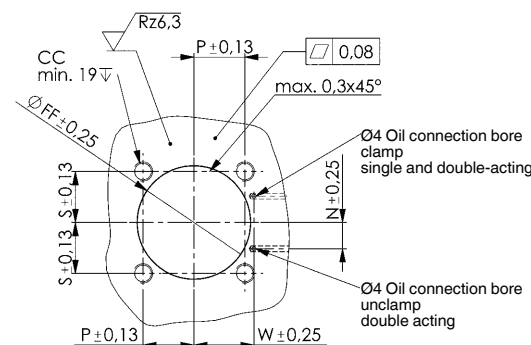
The swing motion is executed via three ball guides, thereby increasing positioning accuracy, repeat accuracy and service life.

### Note:

The piston is guided, and so the max. permissible oil flow rate Q max. as well as the clamping arm length and weight must be observed. When mounting accessories at the piston, no force may be applied to the piston. For single-acting cylinders, there is risk of sucking in coolant through the breather port. In such cases the breather port has to be moved to a clean protected area via a connection line. When installing, ensure that all air is bled from the system.

To control the oil feed, the throttle/check valve no. 6916-12-04 can be optionally used. Other swivel angles are available on request.

### Drilling template device:



### Dimensions:

Order no.	Article no.	dia. A	B	C	D	E	dia. F	G	H	K	L	M	N	P	Q	R	S	T	U	dia. V	W	Y	CC	dia. FF	OR-1 O-ring Order No.
327155	6951KP-22-11	62,8	196,0	104,5	25	G1/4	31,74	13	13	14,5	28	33,5	14,5	27,4	35,5	35,5	27,4	71	85,5	10,7	35,1	13,0	M10	63,4	183608
327163	6951KP-22-12	62,8	196,0	104,5	25	G1/4	31,74	13	13	14,5	28	33,5	14,5	27,4	35,5	35,5	27,4	71	85,5	10,7	35,1	13,0	M10	63,4	183608
327171	6951KP-33-11	77,0	216,5	114,0	25	G1/4	38,09	13	13	16,0	30	33,5	18,1	35,1	44,5	44,5	35,1	89	100,0	13,5	41,4	12,5	M12	77,6	183608
327189	6951KP-33-12	77,0	216,5	114,0	25	G1/4	38,09	13	13	16,0	30	33,5	18,1	35,1	44,5	44,5	35,1	89	100,0	13,5	41,4	12,5	M12	77,6	183608

Subject to technical alterations.