

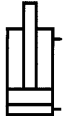
No. 6951GZ

Push-Pull Cylinder, thread-flange-mounting, with guided piston rod

Double-acting,
max. operating pressure 350 bar,
min. operating pressure 35 bar.



CAD



Order no.	Article no.	Push force at 350 bar [kN]	Pull force at 350 bar [kN]	Stroke [mm]	Vol. push [cm ³]	Vol. pull [cm ³]	Q max. [l/min]	Weight [g]
66613	6951GZ-02-20	5,6	2,2	14,5	2,3	0,92	0,165	300
66696	6951GZ-05-20	13,5	6,6	20,0	7,8	3,82	0,400	744
66795	6951GZ-05-200	13,5	6,6	31,0	11,9	5,90	0,400	850
66738	6951GZ-11-20	27,7	13,9	29,5	23,0	11,90	1,640	1379
66928	6951GZ-11-200	27,7	13,9	51,0	40,0	20,50	1,640	1941

Design:

Cylinder barrel from steel, hardened and burnished. Piston rod case hardened and chrome plated. Piston rod with internal thread and clamping arm positioning. Wiper at piston rod. Oil supply via threaded port.

Application:

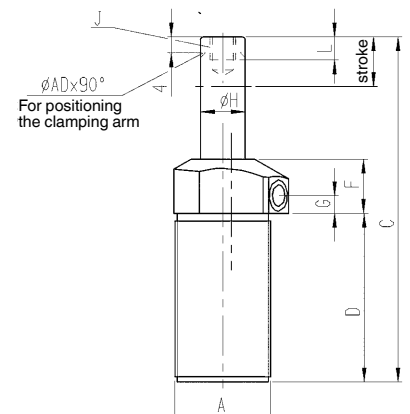
Universal Push-Pull Cylinder for various applications.

Features:

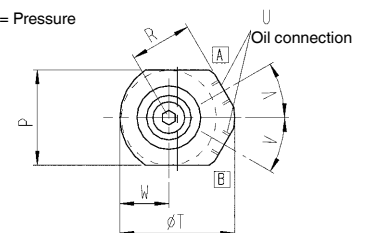
Each model is available for single or double acting operation. The internal thread at piston rod allows mounting of attachments like clamping arms and set screws.

Note:

The piston is guided, therefore, the max. permissible oil flow rate Q max. must be observed in order to protect the mechanism. No force must be introduced at the piston when mounting accessory. For single acting cylinders there is risk of sucking in coolant through the breather port. In such cases the breather port has to be piped to a clean protected area. The system has to be completely vented during installation. Suitable flange nuts DIN 70852.



- A** = Pull
- B** = Pressure



Dimensions:

Order no.	Article no.	A	C	D	F	G	dia. H	J x depth	L	P	R	dia. T	U	V	W	ØAD
66613	6951GZ-02-20	M28x1,5	102,0	44	25,5	13,0	11,13	M6 x 7	7	32,0	20,5	38,0	G1/8	25°	14,0	3,2
66696	6951GZ-05-20	M38x1,5	134,0	60	31,0	13,0	15,88	M10 x 12	12	38,0	26,0	47,5	G1/8	35°	19,5	4,8
66795	6951GZ-05-200	M38x1,5	167,0	86	27,5	9,5	15,88	M10 x 12	12	38,0	26,0	47,5	G1/8	35°	19,5	4,8
66738	6951GZ-11-20	M48x1,5	172,0	79	32,0	13,0	22,23	M12 x 13	13	47,5	31,5	60,0	G1/4	30°	25,5	4,8
66928	6951GZ-11-200	M48x1,5	235,5	124	29,5	10,5	22,23	M12 x 13	13	47,5	31,5	60,0	G1/4	30°	25,5	4,8

Subject to technical alterations.