

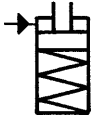
No. 6951FZ

Pull Cylinder, base-flange-mounting, with guided piston rod

Single-acting, with spring return, max. operating pressure 350 bar, min. operating pressure 52 bar.



CAD



Order no.	Article no.	Pull force at 350 bar		Stroke [mm]	Vol. pull [cm ³]	Q max. [l/min]	Weight [g]
		[kN]					
66480	6951FZ-02-10	2,2		14,5	0,92	0,165	463
66522	6951FZ-05-10	6,6		20,0	3,82	0,400	1150
66563	6951FZ-11-10	13,9		29,5	11,90	1,640	2050

Design:

Cylinder barrel from steel, hardened and burnished. Piston rod case hardened and chrome plated. Piston rod with internal thread and clamping arm positioning. O-ring for flange seal. Wiper at piston rod. Return spring from stainless steel. Oil supply via threaded connection or oil channel in the fixture body.

Application:

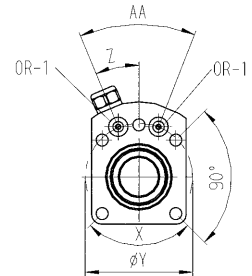
Universal Push-Pull Cylinder for various applications.

Features:

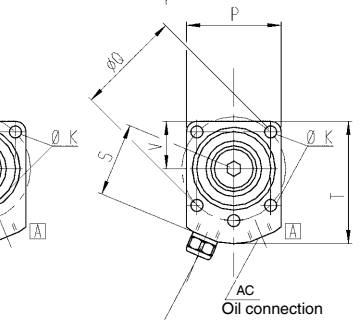
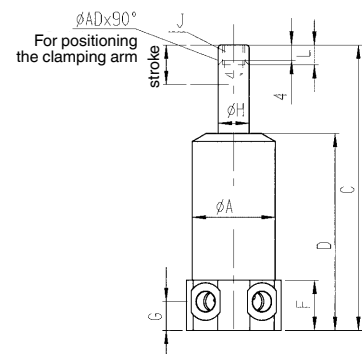
Each cylinder size is available for single or double-acting operation. Various thrust pieces can be attached in the tapped piston rod ends. Clamps can be attached, as with the swing clamps.

Note:

The piston is guided, therefore, the max. permissible oil flow rate Q max. must be observed in order to protect the mechanism. No force must be introduced at the piston when mounting accessory. For single acting cylinders there is risk of sucking in coolant through the breather port. In such cases the breather port has to be piped to a clean protected area. The system has to be completely vented during installation.



Hole circle f. O-ring connection

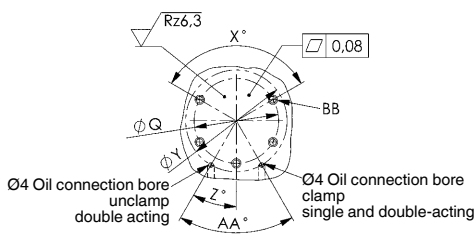


Size 02, 05

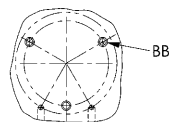
Size 11

[A] = Pull

Drilling template device:



Size 11



Size 02, 05

Dimensions:

Order no.	Article no.	dia. A	C	D	F	G	dia. H	J	dia. K	L	P	dia. Q	S	T	V	X°	dia. Y	Z°	AA°	AC	ØAD	BB	OR-1 O-ring Order No.
66480	6951FZ-02-10	26,8	103	71,0	26,5	13,5	11,13	M6	6	7	45	40,0	31,0	47	15,5	120	42	30,0	60	G1/8	3,2	M5	183608
66522	6951FZ-05-10	38,0	135	92,5	25,0	15,0	15,88	M10	7	12	57	50,0	33,5	54	19,0	120	50	55,0	110	G1/8	4,8	M6	183608
66563	6951FZ-11-10	45,4	173	112,5	28,5	16,5	22,23	M12	9	13	55	59,5	42,0	71	27,5	90	62	22,5	45	G1/4	4,8	M8	183608

Subject to technical alterations.