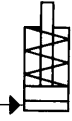


## No. 6925

### Built-In Cylinder

Single acting, with spring return,  
max. operating pressure 350 bar.



CAD



6925-04



6925-10

Order no.	Article no.	Push force at 100 bar		Push force at 350 bar		Stroke C [mm]	Vol. [cm <sup>3</sup> ]	Piston area [cm <sup>2</sup> ]	Weight [g]
		[kN]	[kN]	[kN]	[kN]				
67975	6925-04-1	1,25	4,4	9,5	1,2	1,3	73		
67991	6925-04-2	1,25	4,4	19,0	2,5	1,3	91		
68015	6925-04-3	1,25	4,4	32,0	4,1	1,3	118		
68031	6925-10-1	2,88	10,1	6,5	1,8	2,9	200		
67801	6925-10-2	2,88	10,1	19,0	5,5	2,9	210		
67827	6925-10-3	2,88	10,1	32,0	9,2	2,9	254		

### Design:

Cylinder barrel from steel, hardened and burnished. Piston and piston rod case hardened and ground. Piston rod with internal thread. Wiper at piston rod. Cylinder barrel with metric fine thread for locknut to DIN 70852. Return spring from stainless steel. Oil supply via threaded port.

### Application:

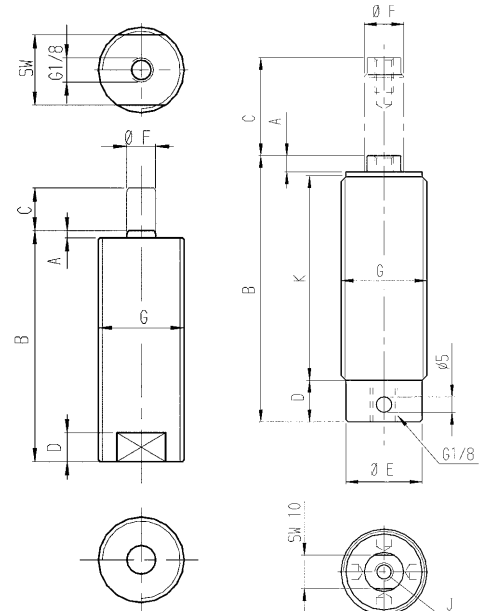
Suitable to convert mechanical fixtures into hydraulic operated. The built-in cylinder can easily be mounted and adjusted into fixture walls by grooved nuts. Universal cylinder for clamping, pushing, locking and rivetting.

### Features:

The metric thread extending over the whole length of the cylinder permits with its two flange nuts DIN 70852 lengthwise adjustment over a large range. Tapped piston rod end allows the use of individual contact bolts.

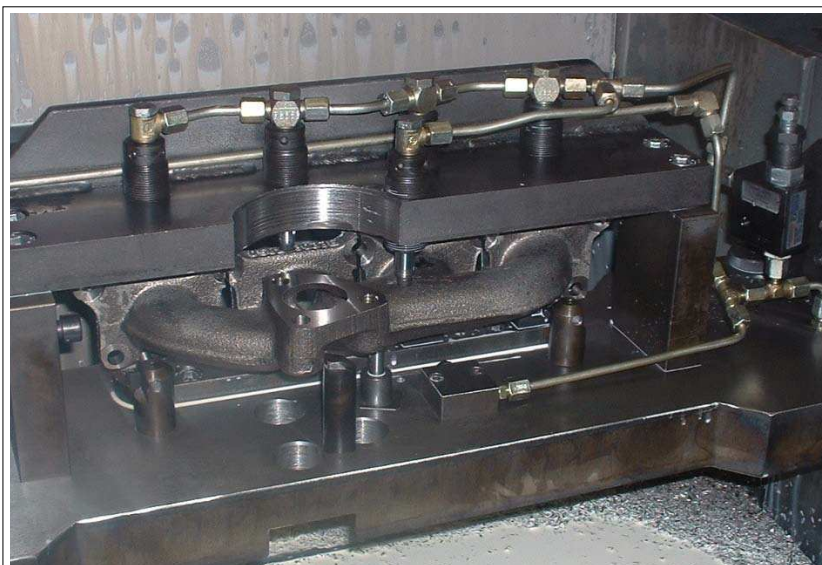
### Dimensions:

Order no.	Article no.	A	B	D	dia. E	dia. F	G	J x depth	K	SW
67975	6925-04-1	1,5	51,0	6,5	-	6,5	M20x1,5	-	-	16
67991	6925-04-2	1,5	65,5	6,5	-	6,5	M20x1,5	-	-	16
68015	6925-04-3	1,5	83,0	6,5	-	6,5	M20x1,5	-	-	16
68031	6925-10-1	6,5	55,5	12,5	24,5	12,5	M28x1,5	M6x11	35,5	-
67801	6925-10-2	6,5	68,5	12,5	24,5	12,5	M28x1,5	M6x11	48,0	-
67827	6925-10-3	5,0	86,0	12,5	24,5	12,5	M28x1,5	M6x11	67,0	-



6925-04

6925-10



Subject to technical alterations.